

PTS-10AL

1U rack mounting high-precision time servers



» Overview

PTS-10AL is a multifunction time server. PTS-10AL is designed for 1U 19 inch rack mounting requirements. It provides nanosecond accuracy time service for any industry fields. It supports GPS (Global Positioning Service), BDS (Chinese Satellite System), and GLONASS (Russian Satellite System) as sky time sources and PTP (Precision Timing Protocol), IRIG-B as ground time sources. Based on the multiple time source input PTS-10AL has multi-time source selection logical and Sky-Grounding time backup function inside.

PTS-10AL supports PTP(Precision Timing Protocol), supports NTP/PTP/PPS/IRIG-B/Serial TOD etc. time synchronization signal output as time synchronization purpose.

PTS-10AL time server supports WEB/SNMP remote system management and configuration mode.

» Key Features

- Support 2 BNC/ IRIG-B signal output interface
- Support 2 DB9 serial TOD signal output interface
- Support WEB、SNMP management
- Support LCD screen display and operation by keys on front panel
- Support redundant power supply

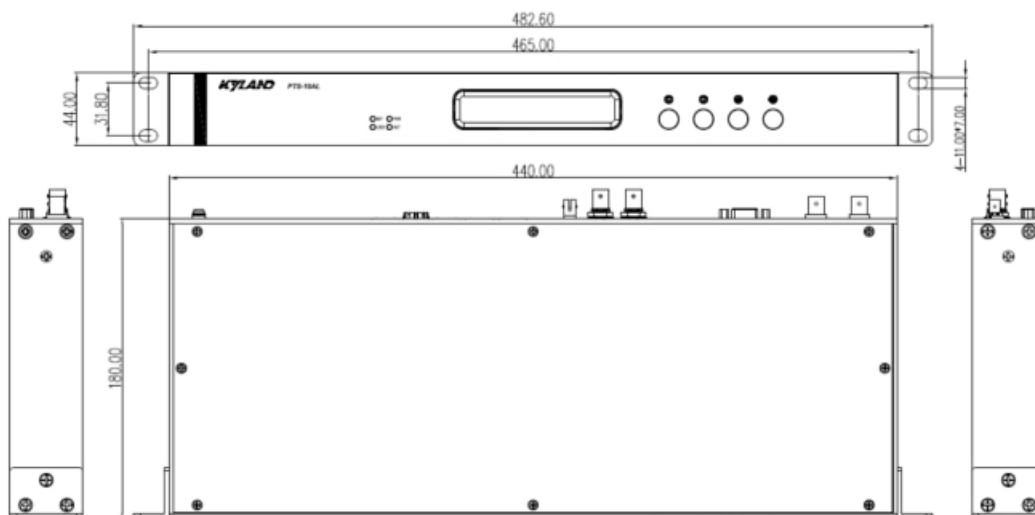
Product Specifications

Product Specifications	Time Input Source Interface	Type1 Satellite Signal Interface 2 BNC interface Type2 Ground Signal Interface1 1 FI interface: IRIG-B input interface Type3 Ground Signal Interface2 1 combo port/4 RJ45 ports: PTP input interface
	Holdover Accuracy	TCXO
	Network Interface	Ethernet 1*10/100/1000M Combo ports + 4*10/100M RJ45 ports Support NTP、PTP
	Output Interface	2 * BNC ports: IRIG-B, PPS/PPM/PPH signal output 2 * serial RS485: TOD, IRIG-B, PPS/PPM/PPH signal output 2 * serial RS232: TOD, IRIG-B, PPS/PPM/PPH signal output 1 * Combo ports/4 * RJ45 ports: NTP, PTP
	LED	ANT LED: ANT Power LED: PWR Satellite LOCK status: LOCK Satellite status: SAT
	Interface LED	Link/ACT, Speed
	Key	UP Move the cursor up DOWN Move the cursor down ENTER Confirm operation ESC Cancel operation
	Power Supply	Power Input 220VAC(85-264VAC/77-300VDC) Single/Dual power input(s) Power Consumption 16W Power Terminal 5-pin 5.08 mm-spacing plug-in terminal block Power Alarm Support Status Alarm Support
	Physical Characteristics	Dimensions W×H×D: 482.60×44×180mm Mounting 1U 19 inch rack mounting Housing Metal Protection Class IP40 Cooling Natural cooling, fanless
	Environmental Limits	Operating temperature-40 ~ 70°C Storage temperature-40 ~ 85°C Ambient Relative Humidity5 ~ 95% (non-condensing)
Quality Assurance	5 years	
Industry Standard	EMI: FCC CFR47 Part 15 EN55022/CISPR22,ClassA EMS: IEC61000-4-2(ESD) ±8kV(contact),±15kV(air) IEC61000-4-3(RS) 10V/m(80MHz ~ 2GHz) IEC61000-4-4(EFT) Power Port:±4kV;Data Port:±2kV IEC61000-4-5(Surge) Power Port:±2kV/DM,±4kV/CM; Data Port:±2kV IEC61000-4-6(CS) 10V(150kHz ~ 80MHz)	

Product Specifications	Industry Standard	Climatic environmental: EN 61000-6-4: 2019, EN 55032: 2015/A11:2020 Class A IEC60068-2-1: Cold; IEC60068-2-2: Dry heat IEC60068-2-30: Damp heat Machinery: IEC 60068-2-6 IEC 60068-2-27
------------------------	-------------------	---

➤ Mechanical Drawing

Panel Schematic

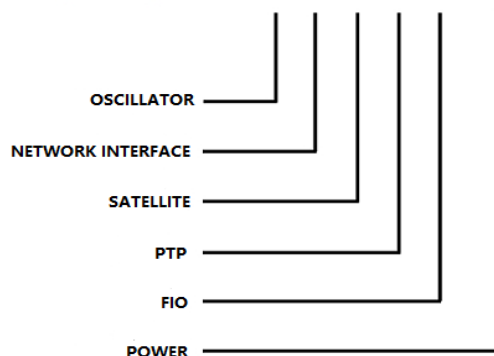


» Ordering Information

Model	Power	OSCILLATOR	PTP	SATELLITE	Ethernet port 1*10/100/ 1000M Combo port, 4*10/100 M RJ45 ports	Output Interface 2 BNC 2 RS485 2 RS232	Fiber input
PTS-10AL-17211-HV	Single	TCXO	Support	Single Channel GPS/BDS/GLONASS	Support	Support	Support
PTS-10AL-17511-HV-HV	Dual	TCXO	Support	Dual Channel GPS/BDS/GLONASS	Support	Support	Support

Basic configuration description

PTS-10AL-DDDDD-PS1-PS2



Type	P/N	Description
OSCILLATOR	1	TCXO
Network Interface	7	1*10/100/1000M Combo port+ 4*10/100M RJ45 ports, Support NTP、PTP
SATELLITE	2	Single channel, Configurable GPS/BDS/GLONASS
	5	Dual channel, Individually configurable GPS/BDS/GLONASS
PTP	1	support
FIO	1	support
Power	HV	220VAC(85-264VAC/77-300VDC), Single power supply
	HV-HV	220VAC(85-264VAC/77-300VDC), Dual power supply