

KYLAND

Smart Control Solutions

Enabling Software Defined Control



SMART CONTROLLER

Smart Controller

NewPre3101/3102	03
NewPre200/300	06

Modular Controller & IO

NewPre3200	13
NewPre5100	16
KYIO-H Remote I/O	20
KYIO-L Remote I/O	23

Motion Controller (Codesys)

KYAC311	40
KYAC323	42

IoT Edge Controller

NewPre2100	45
NewPre2300	48

Power Automation Server

Hyperie8300	52
-------------	----

Software:

Intewell Operating System	59
MaVIEW	61

Motion Controller (Codesys)

KYAC311 Series

- ▶ MOTION CONTROLLER
- ▶ FANLESS DESIGN

FEATURES

- Powerful performance with an Intel x86 4-core processor.
- Supports up to 32-axis motion control with 1ms cycle time
- With an optimized BIOS kernel to meet real-time control requirements
- EtherCAT supports up to 32 slave device
- System task jitter within 35us
- Complies with IEC61131-3 standard and PLCopen specifications
- Supports industrial protocols such as EtherCAT, Ethernet/IP, OPC UA, and ModbusTCP
- Integrated with two serial ports, switch flexibly between RS232 and RS485
- Dual power redundant design to ensure stable power supply
- Supports a wide operating temperature -20 ~ 60°C

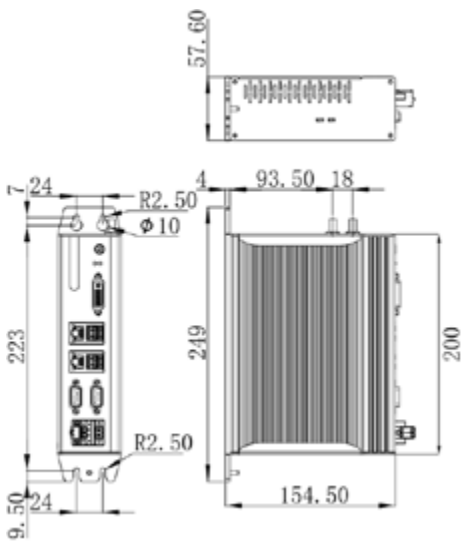


SPECIFICATIONS

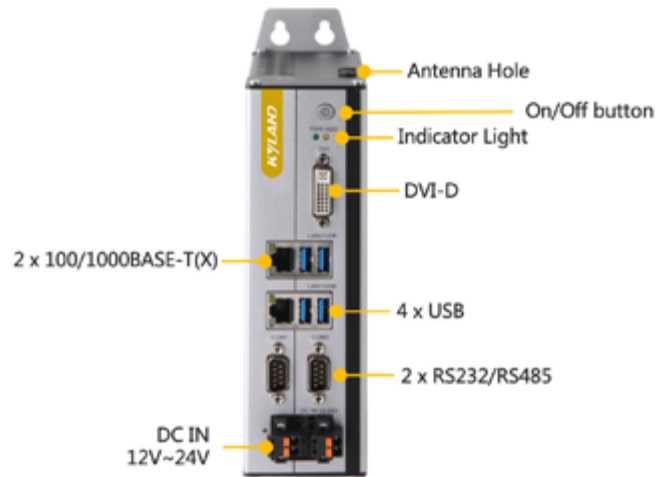
KYAC311-E3MA			
Hardware Specification	CPU	Intel® Celeron J1900, 2.0GHz, 4 Cores/4 Threads, 2MB L2 Cache	
	TDP	10W	
	BIOS	AMI UEFI 64Mbit	
	Memory	8GB DDR4	
	Storage	128GB SSD mSATA	
	USB		1 x USB3.0, 3 x USB2.0
			Onboard built-in 1 x USB2.0, support hardware encryption
	COM		2 x DB9, RS232/RS485 configurable RS485 support automatic flow control, RS232 with ESD protection (air-gap discharge: ±8KV, contact discharge: ±6KV)
	Network Interface		2 x 100/1000BASE-T(X), Intel I210
	DVI-D		Max resolution 1920 x 1080
	Expansion Slot		1 x miniPCIe with SIM Tray
Watchdog		1~255 Levels programmable	

Software Specification	RTE	Codesys RTE 3.5.18
	Operating System	Windows 10
Power Supply	Input Voltage	DC12~24V ±10%, Overcurrent, overvoltage and reverse connection protection
	Consumption	Max 45W
Mechanical Structure	Structure	Fanless design, supports wall-mounted or DIN-Rail installation
	Dimensions	(L)200mm x (W)154.5mm x (H)57.6mm
	Weight	1.6Kg
Environment	Operating Temperature	-20°C ~ 60°C
	Storage Temperature	-40°C ~ 80°C
	Humidity	5~95% (No condensation)
	Vibration	5~500Hz, 1.5Grms IEC60068-2-64
	Impact	20G (duration 11ms half sine wave) IEC60068-2-27
	EMC	CE/FCC Class A

» **DIMENSIONS**



» **INTERFACE**



» **ORDERING INFORMATION**

P/N	Description
KYAC311-E3MAW0SM	J1900/8G/128G SSD/WIN10/Softmotion
KYAC311-E3MAW0MTW	J1900/8G/128G SSD/WIN10/Softmotion/Target & Web Visu

KYAC323 Series

- ▶ MOTION CONTROLLER
- ▶ POWERFUL PERFORMANCE

FEATURES

- Powerful performance with an Intel CORE I3/I5/I7 processor
- With an optimized BIOS kernel to meet real-time control requirements
- EtherCAT supports up to 128 slave device
- System task jitter within 25us
- Complies with IEC61131-3 standard and PLCopen specifications
- Supports industrial protocols such as EtherCAT, Ethernet/IP, OPC UA, and ModbusTCP
- Integrated with two serial ports, switch flexibly between RS232 and RS485
- Dual power redundant design to ensure stable power supply
- Supports a wide operating temperature -20 ~ 60°C

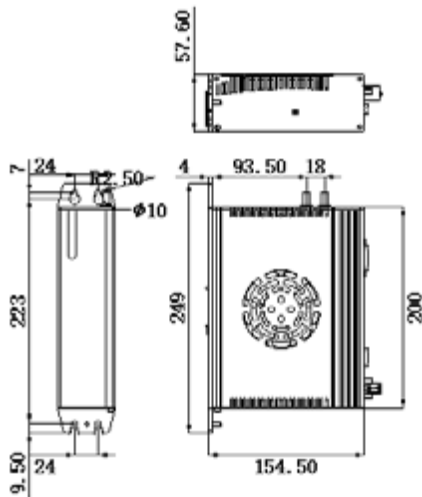


SPECIFICATIONS

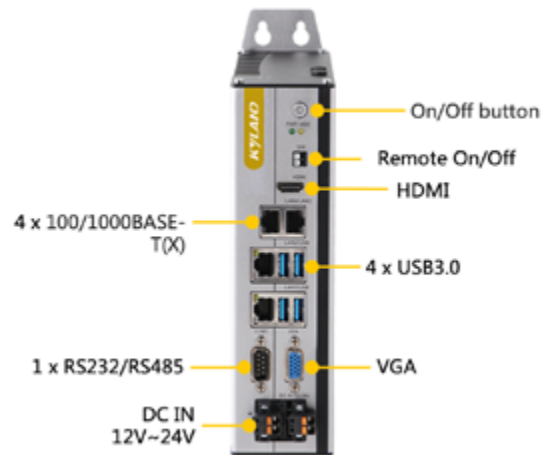
Specifications	KYAC323-33MB	KYAC323-341B	KYAC323-341B	KYAC323-341B	KYAC323-73MB	KYAC323-741B	KYAC323-752B	
Hardware Specification	CPU	I3-8100		I5-6400		I7-8700		
	TDP	Max 65W						
	BIOS	AMI UEFI 64Mbit						
	Memory	8GB	16GB	8GB	16GB	8GB	16GB	32GB
	Storage	128GB	256GB	128GB	256GB	128GB	256GB	512GB
	USB	4 x USB3.0						
		Onboard built-in 1 x USB2.0, support hardware encryption						
	COM	2 x DB9, RS232/RS485 configurable RS485 support automatic flow control, RS232 with ESD protection (air-gap discharge: ±8KV, contact discharge: ±6KV)						
	Network Interface	4 x 100/1000BASE-T(X), Intel I210						
	VGA	Max resolution 1920 x 1080						
	HDMI	Max resolution 3840 x 2160						
	Expansion Slot	2 x miniPCIe, with SIM Tray						
Watchdog	1~255 Levels programmable							

Software Specification	RTE	Codesys RTE 3.5.18
	Operating System	Windows 10
Power Supply	Input Voltage	DC12~24V ±10%, Overcurrent, overvoltage and reverse connection protection
	Consumption	Max 120W
Mechanical Structure	Structure	Supports wall-mounted or DIN-Rail installation
	Dimensions	(L)200mm x (W)154.5mm x (H)57.6mm
	Weight	1.9Kg
Environment	Operating Temperature	-20°C ~ 60°C
	Storage Temperature	-40°C ~ 80°C
	Humidity	5~95% (No condensation)
	Vibration	5~500Hz, 1.5Grms, IEC60068-2-64
	Impact	20G(duration 11ms, half sine wave), IEC60068-2-27
	EMC	CE/FCC Class A

» **DIMENSIONS**



» **INTERFACE**



» **ORDERING INFORMATION**

P/N	Description
KYAC323-33MBW0SM	I3-8100/8G/128G SSD/WIN10/Softmotion
KYAC323-33MBW0SMTW	I3-8100/8G/128G SSD/WIN10/Softmotion/Target &Web Visu
KYAC323-53MAW0SM	I5-6400/8G/128G SSD/WIN10/Softmotion
KYAC323-541AW0SMTW	I5-6400/16G/256G SSD/WIN10/Softmotion/Target &Web Visu
KYAC323-73MBW0SM	I7-8700/8G/128G SSD/WIN10/Softmotion
KYAC323-741BW0SM	I7-8700/16G/256G SSD/WIN10/Softmotion
KYAC323-752BW0SM	I7-8700//32G/512G SSD/WIN10/Softmotion
KYAC323-73MBW0SMTW	I7-8700//8G/128G SSD/WIN10/Softmotion/Target &Web Visu
KYAC323-741BW0SMTW	I7-8700//16G/256G SSD/WIN10/Softmotion/Target &Web Visu
KYAC323-752BW0SMTW	I7-8700//32G/512G SSD/WIN10/Softmotion/Target &Web Visu