

Opal8L

8 port unmanaged DIN-Rail switches



» Overview

Opal8L unmanaged 8-port switch is specially designed for automation control applications. It is equipped with two fast Ethernet fiber/RJ45 optional ports and 6 10/100Base-TX RJ45 ports. Opal8L supports SFP type fiber ports, redundant power inputs, built-in isolated power supply, metal housing with IP30/IP40 protection class, thus ensuring fast and reliable data transmission in harsh industrial environments. Opal8L provides both standard (-10°C to 60°C) and wide (-40°C to 75°C) operating temperature range models to meet different applications.

» Key Features

Support 2 Fast Ethernet fiber/RJ45 optional ports, 6 10/100Base-T(X) ports

Built-in isolated power supply, Full load power consumption is as low as 3.4 W

Both standard and wide operating temperature models are available

EMC level 3

IP30/IP40 protection class

» Product Specifications

> Technical Specification

-Standard

IEEE 802.3i (10Base-T)

IEEE 802.3u (100Base-TX and 100Base-FX)

IEEE 802.3x (Flow Control)

-Switch Properties

MAC Table: 2K

Packet Buffer: 1Mbit

Packet Forwarding Rate: 1.2Mpps

Switching Delay:<10 μ s

-Interface

Fast Ethernet Port:

100Base-X, SFP slot

10/100Base-T(X), RJ45 port

-LED

LEDs on Front Panel

Power LED: PWR1, PWR2

Interface LED: Link/ACT (RJ45 port); Link/ACT (Fiber port)

-Power Requirements

Power Input: 12-48VDC/18-30VAC

Power Terminal: 4-pin 5.08mm-spacing plug-in terminal block

Power Consumption: 2.2W(8T), 3.4W(2SFP6T)

Overload Protection: Support

Reverse Protection: Support

Redundancy Protection: Support

-Physical Characteristics

Housing: Metal

Cooling: Natural convection, fanless

Protection Class: IP30(8T), IP40(2SFP6T)

Dimension: 45.6mm \times 114.5mm \times 68mm(8T), 45.6mm \times 114.5mm \times 95mm(2SFP6T) (W \times H \times D)

Weight: 0.3Kg(8T), 0.35Kg(2SFP6T)

Mounting: DIN-Rail or Panel Mounting

-Environmental Limits

Operating Temperature:

-10°C to +60°C (-E)

-40°C to +75°C

Storage Temperature: -40°C to +85°C

Ambient Relative Humidity: 5-95% (non-condensing)

-Quality Assurance

MTBF: 6106558 hrs (8T), 8301541 hrs (2SFP6T)

Warranty: 5 years

-Approvals

CE, FCC

UL61010, Class I Div 2 (Pending)

-Industry Standard

EMI:

FCC CFR47 Part 15, EN55032/CISPR22, Class A

EMS:

IEC61000-4-2(ESD): ±6kV (contact), ±8kV (air)

IEC61000-4-3(RS): 10V/m (80MHz–2GHz)

IEC61000-4-4(EFT): Power Port: ±4kV; Data Port: ±2kV

IEC61000-4-5(Surge): Power Port: ±1kV/DM, ±2kV/CM; Data Port: ±2kV

IEC61000-4-6(CS): 10V (150kHz–80MHz)

Machinery:

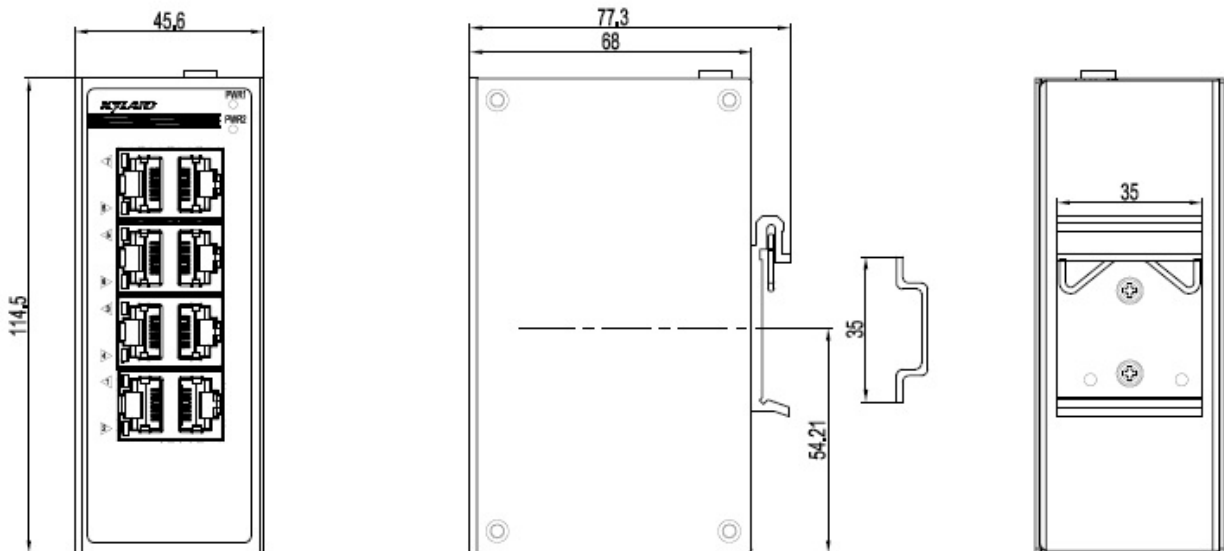
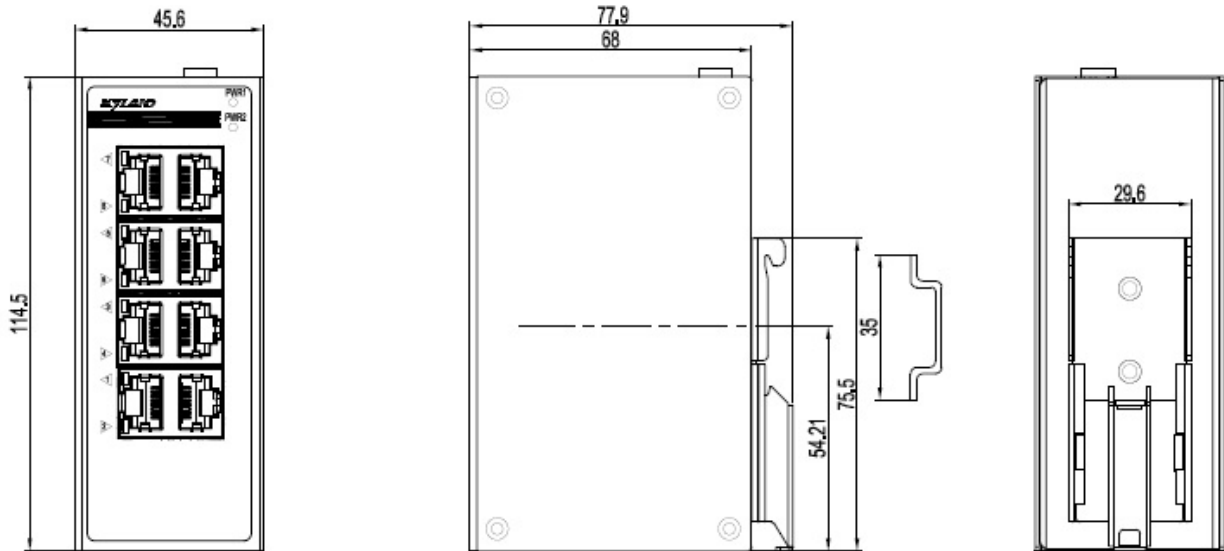
IEC60068-2-6 (Vibration)

IEC60068-2-27 (Shock)

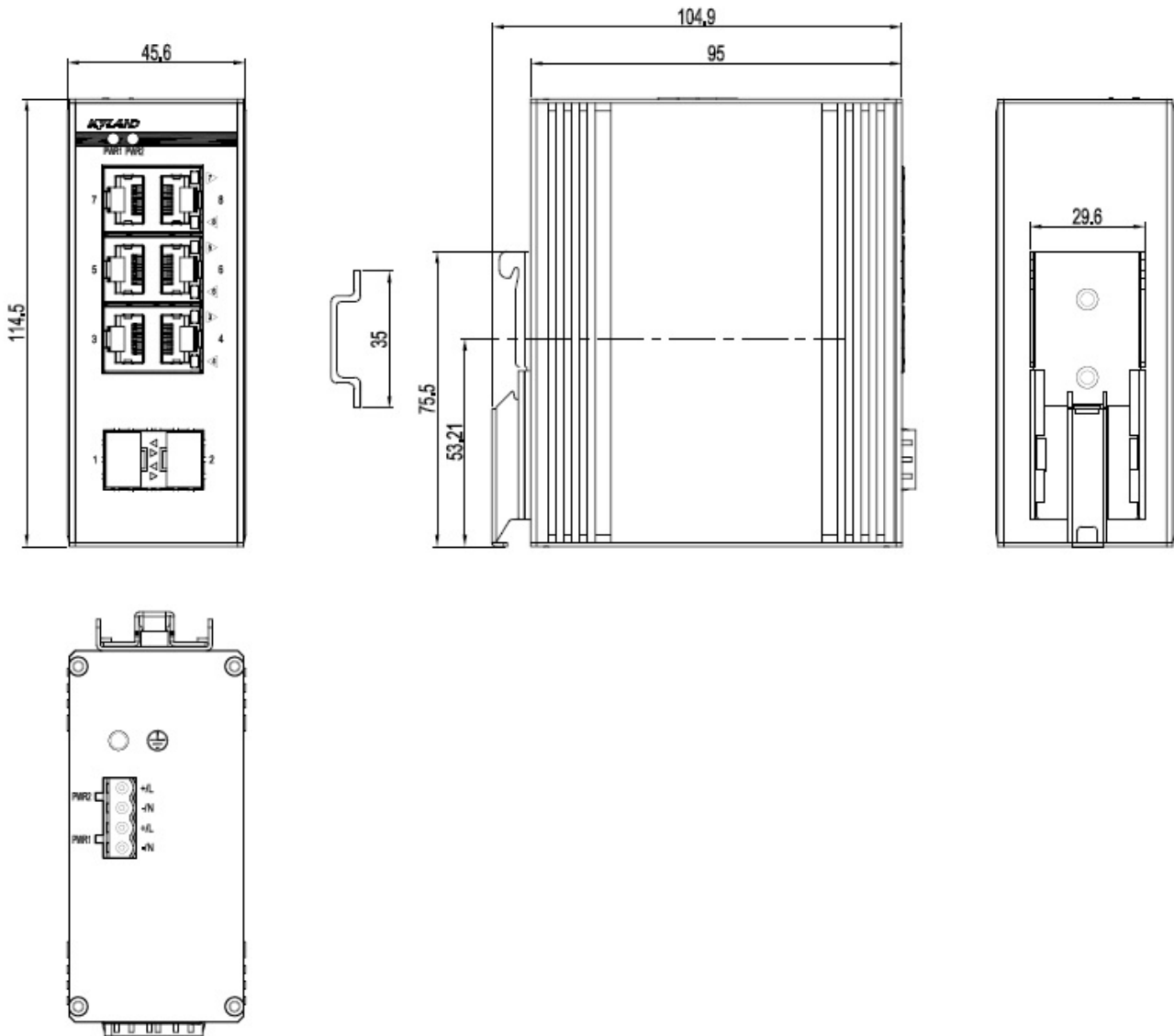
IEC60068-2-32 (Free Fall)

» Mechanical Drawing

Opal8L-8T:



Opal8L-2SFP6T:



» Ordering Information

Opal8L-X-Ports-PS1-PS2	
X	Operating temperature range
E	-10 to +60°C operating temperature
None	-40 to +75°C operating temperature
Ports	
8T	8 X 10/100Base-T(X) RJ45 ports
2SFP6T	2 X 100Base-X, SFP slots; 6 X 10/100Base-T(X) RJ45 ports
PS1-PS2	
LV-LV	12-48VDC/18-30VAC, redundant power inputs
Accessories	
100Base-X SFP module	Please refer to the 100Base-X SFP module ordering list
DT-BGAZ-01	Panel for Panel mounting
DT-FCZ-RJ45-01	Dustproof cover for RJ45 port

